

MOTOR SPECIFICATIONS:

ELECTRICAL EQUIPMENT LIST:

BOTTOM BAR LOCKING:

Locking wing thumb latch located at both jambs, keyed alike but not masterkeyed.

QUANTITY & MARK:

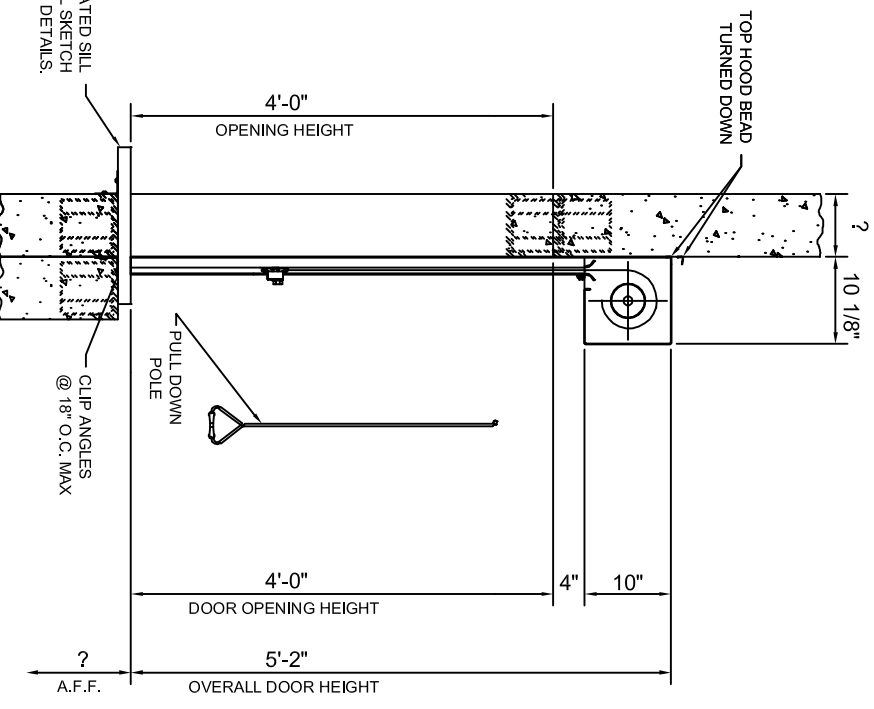
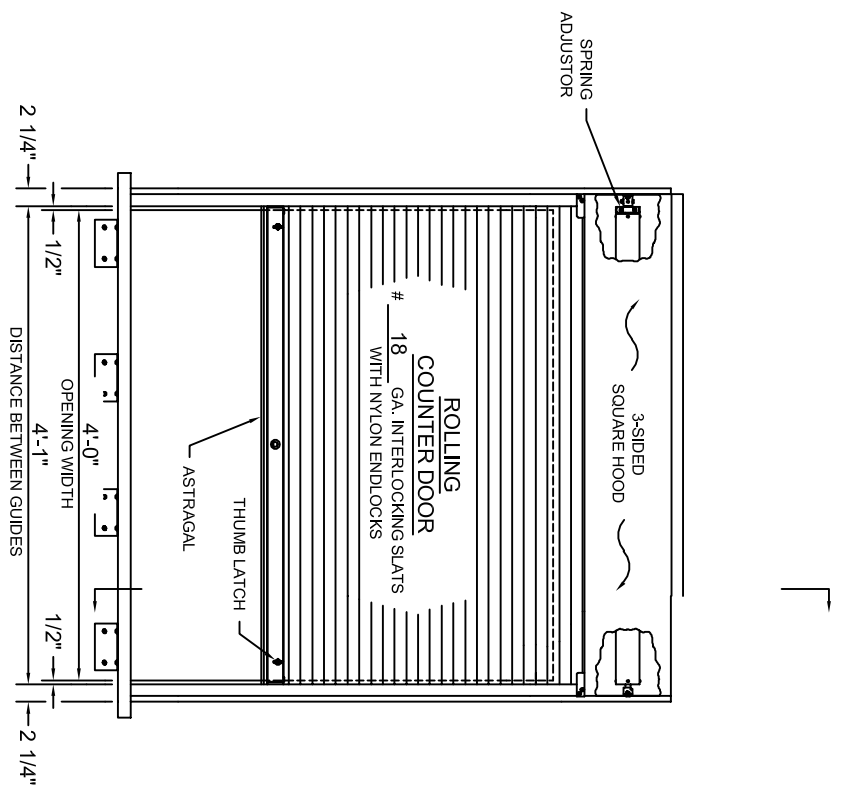
(1)

Operable coil side only.

MATERIAL & FINISH:

- Curtain - Aluminum, clear anodized 204-R1
- Bottom Bar - Aluminum, clear anodized 204-R1
- Guides - Aluminum, clear anodized 204-R1
- Hood - Aluminum, clear anodized 204-R1
- Plain Steel - Polyester powder coating, color CORNELL GRAY

"SUPPORT TO RUN TO TOP OF COIL"

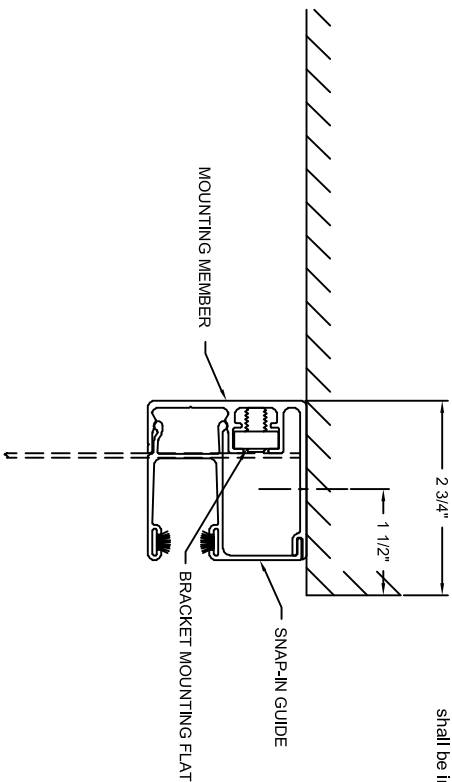


ELEVATION (COIL SIDE) AND SECTION VIEW

01-17-2011	Time: 16:20:08:72	See drawing # Web999135 001 B. for guide detail.	PRODUCT CODE: PFI 1F 18AA	JOB #: Web999135 001 A
BSE CDAR	Drawing Date: 05/26/11		AGENT:	

		JOB: PUSH-UP OPERATED ROLLING COUNTER DOOR ROLLING COUNTER DOORS		ARCHITECT:
#	REVISION	DATE	BY	
--	ORIGINAL DRAWING		WEB	

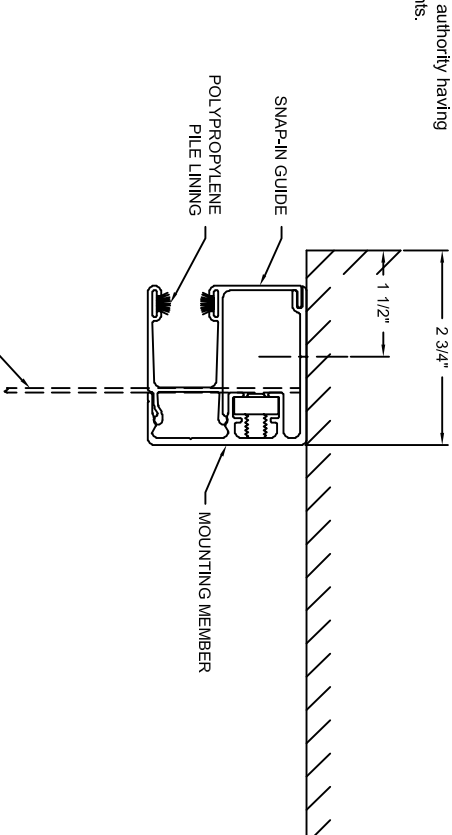
NOTE: Wall construction detail shown is for illustrative purposes only and does not imply compliance with building requirements. Wall construction and closure installation shall be in accordance with the local authority having jurisdiction requirements.



G3233A

WALL FASTENERS:

AT MAXIMUM 18" ON CENTER
 - 1/4" x 1-3/8" LONG EXPANSION BOLTS.
 (SOLID MASONRY REQUIRED)

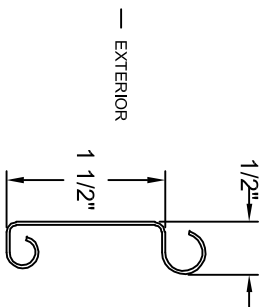


G3233A

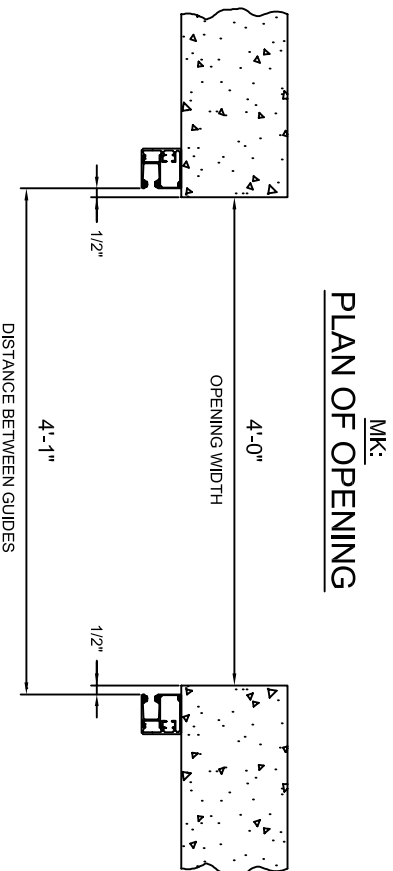
WALL FASTENERS:

AT MAXIMUM 18" ON CENTER
 - 1/4" x 1-3/8" LONG EXPANSION BOLTS.
 (SOLID MASONRY REQUIRED)

C5P SLAT



PLAN OF OPENING



07-13-2010	PRODUCT CODE:	PFI 1F 18AA
CD1_EXT		

Drawing Date:05/26/11
 Time:16:20:21:18

MODEL #:	ESC10	JOB #:	Web999135 001 B
AGENT:			

#	REVISION	DATE	BY
--	ORIGINAL DRAWING		WEB

SAFE AND SECURE
 www.cornelliron.com

JOB: COUNTER DOOR
 EXTRUDED GUIDE ASSEMBLY
 ROLLING COUNTER DOORS

CONTRACTOR:	
ARCHITECT:	